

# Attaching/Detaching the keyboard

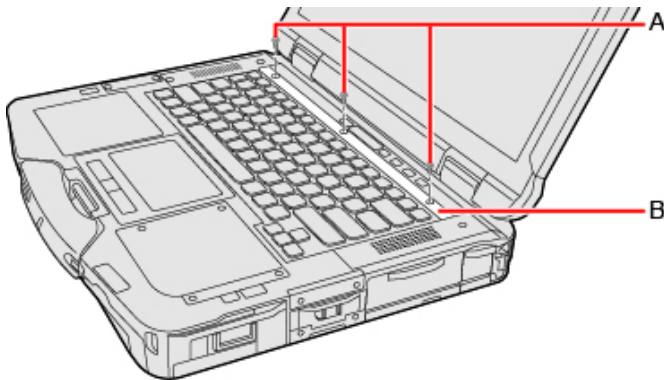
You can change to other language specific keyboard.

## IMPORTANT

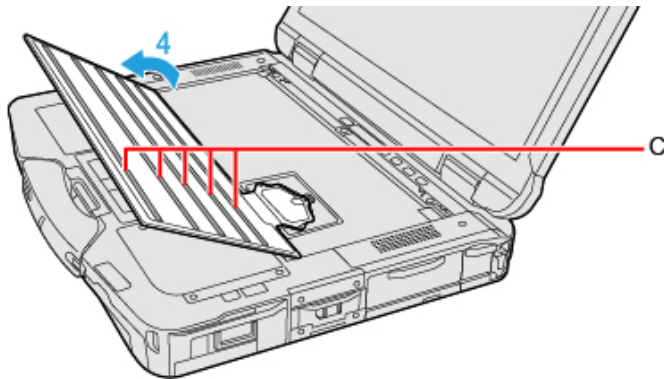
- Be sure to turn off the computer before attaching or detaching the keyboard.

### Attaching and detaching the keyboard

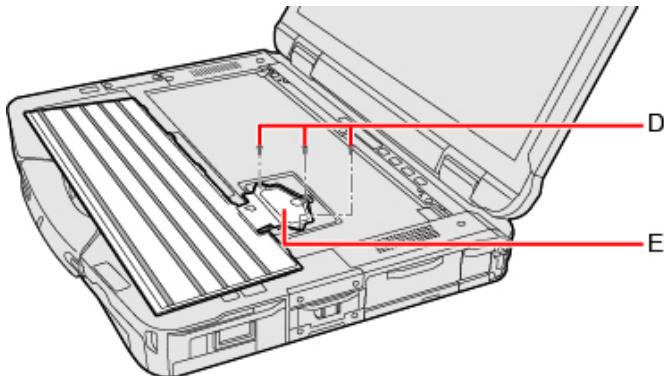
1. Turn off the computer and disconnect the AC adaptor.
2. Remove the battery pack. ( [▶ Replacing the Battery Pack](#) )  
<When using second battery pack>
  - Remove the second battery pack. ( [▶ Replacing the Battery Pack](#) )
3. Remove the screws (A) and the keyboard plate (B).  
Use the PH 1 (PH #1) screwdriver.



4. Lift the keyboard from the screen side.
  - The back side of the keyboard is affixed a seals (C).



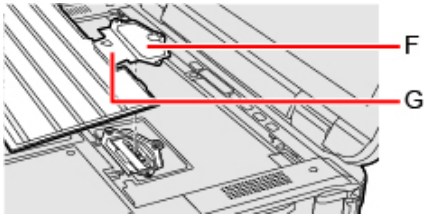
5. Remove the screws (D) and disconnect the stack type connector (E).  
Use the PH 1 (PH #1) screwdriver.



## IMPORTANT

- You cannot use the removed keyboard again.

6. Connect the stack type connector of other language specific keyboard.



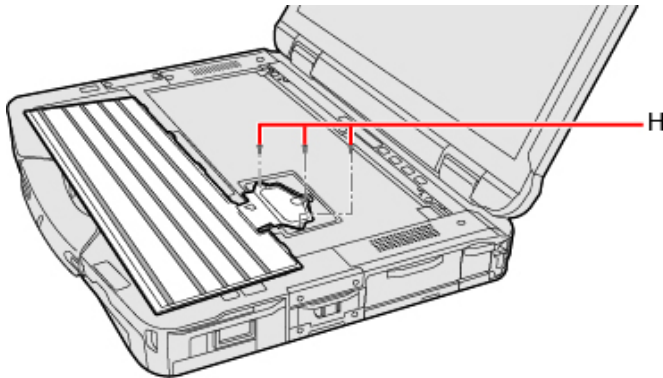
## IMPORTANT

- Do not pull the flat cable (G) connecting the keyboard and stack type connector (F) forcibly.

7. Tighten the screws (H) firmly.

Use the PH 1 (PH #1) screwdriver.

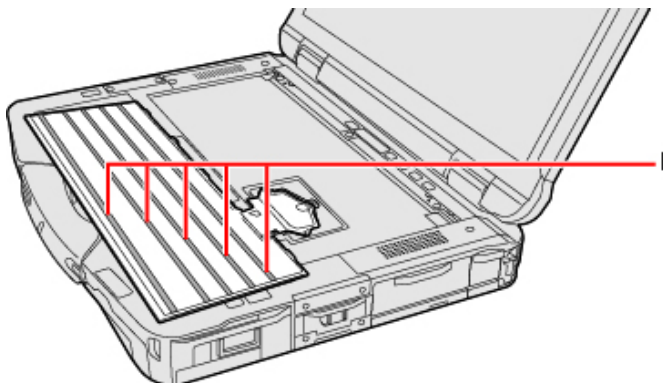
Use 3 screws.



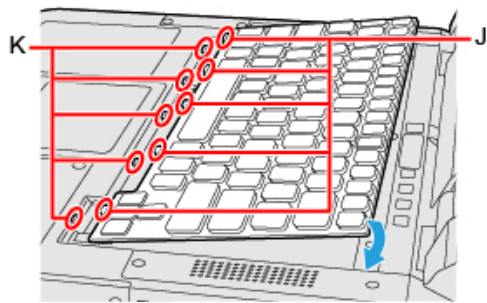
### Recommended tightening torque

0.45 N•m  $\pm$  0.05 N•m (4.5 kgf•cm  $\pm$  0.5 kgf•cm)

8. Remove the release paper (I).



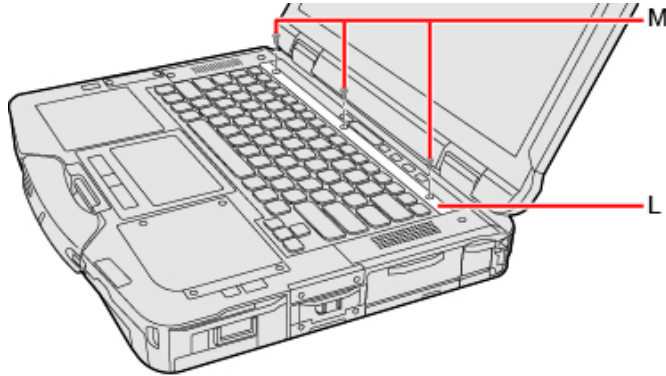
9. Insert the projection parts (J) of the keyboard into the (K) parts, and attach it while lowering.



10. **Attach the keyboard plate (L) and tighten the screws (M) firmly.**

Use the PH 1 (PH #1) screwdriver.

Use 3 screws.



#### Recommended tightening torque

$0.45 \text{ N}\cdot\text{m} \pm 0.05 \text{ N}\cdot\text{m}$  ( $4.5 \text{ kgf}\cdot\text{cm} \pm 0.5 \text{ kgf}\cdot\text{cm}$ )

11. **Insert the battery pack and connect the AC adaptor.**