

Attaching/Detaching the keyboard

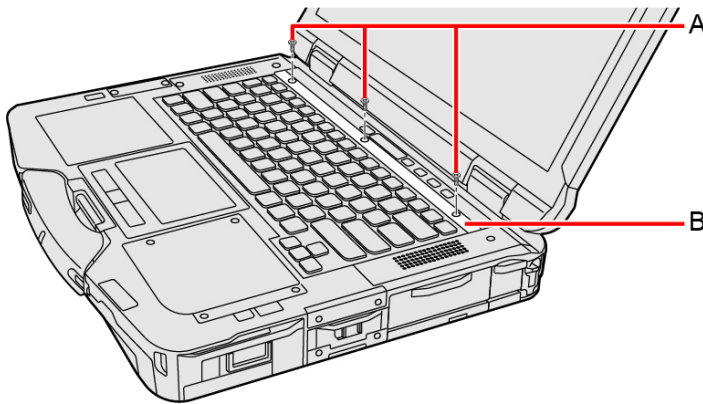
You can change to other keyboards.

IMPORTANT

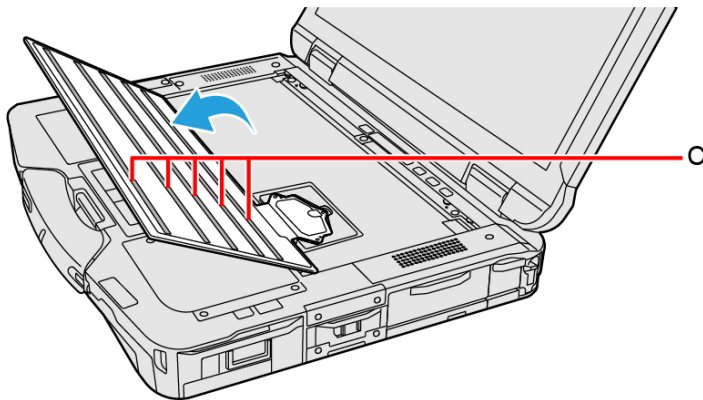
- Be sure to turn off the computer before attaching or detaching the keyboard.

Attaching and detaching the keyboard

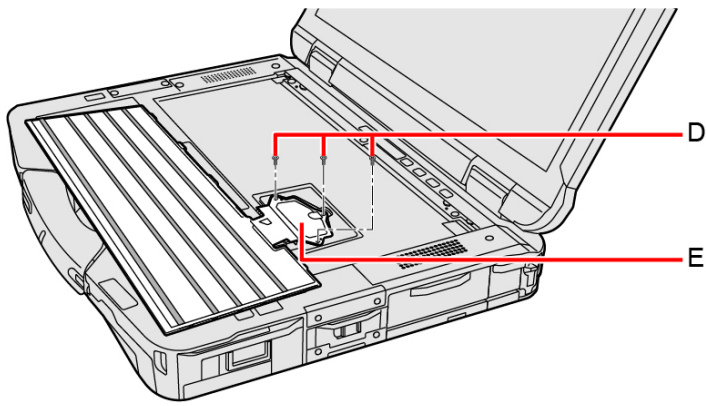
1. Turn off the computer and disconnect the AC adaptor.
2. Remove the battery pack. ([▶ Replacing the Battery Pack](#))
<When using second battery pack>
 - Remove the second battery pack. ([▶ Replacing the Battery Pack](#))
3. Remove the screws (A) and the keyboard plate (B).
Use the PH 1 (PH #1) screwdriver.



4. Lift the keyboard from the screen side.
 - The back side of the keyboard is affixed with adhesive tapes (C).



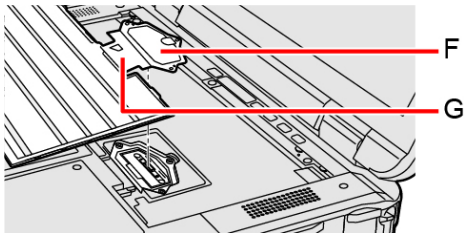
5. Remove the screws (D) and disconnect the stack-type connector (E).
Use the PH 1 (PH #1) screwdriver.



IMPORTANT

- You cannot use the removed keyboard again.

6. Connect the stack-type connector of other keyboards.



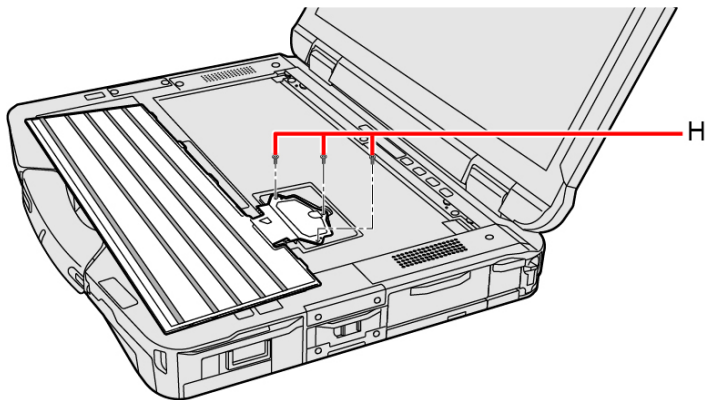
IMPORTANT

- Do not pull the flat cable (G) connecting the keyboard and stack-type connector (F) forcibly.

7. Tighten the screws (H) firmly.

Use the PH 1 (PH #1) screwdriver.

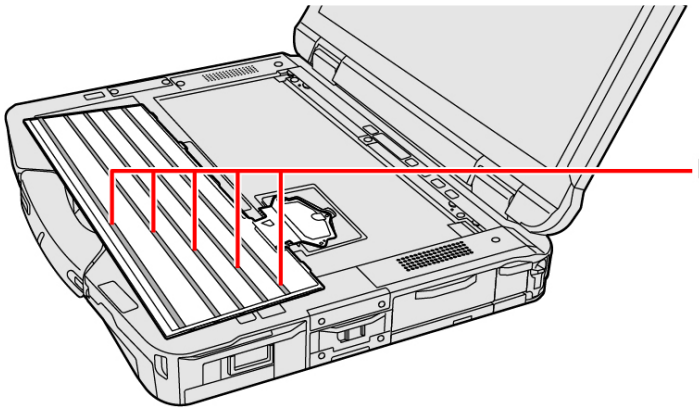
Use 3 screws.



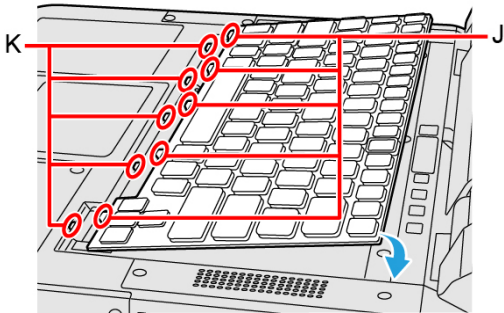
Recommended tightening torque

0.45 N•m \pm 0.05 N•m (4.5 kgf•cm \pm 0.5 kgf•cm)

8. Remove the release paper (I).



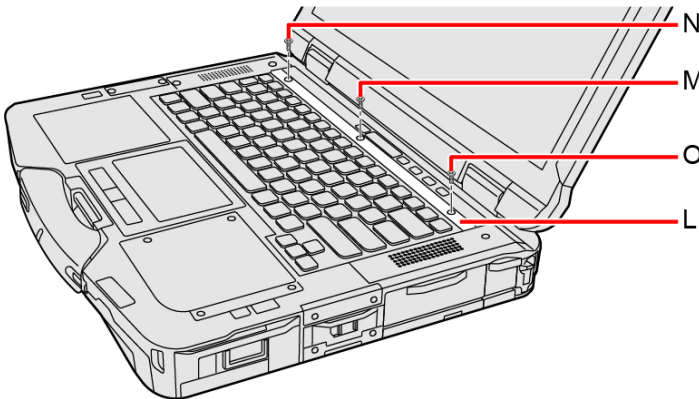
9. Insert the projection parts (J) of the keyboard into the (K) parts, and attach it while lowering.



10. Attach the keyboard plate (L) and tighten the screw (M), screw (N) and screw (O) in this order.

Use the PH 1 (PH #1) screwdriver.

Use 3 screws.



Recommended tightening torque

0.45 N•m ± 0.05 N•m (4.5 kgf•cm ± 0.5 kgf•cm)

11. Insert the battery pack and connect the AC adaptor.