

Right Expansion Area

You can select from the following options.


FZ-VZSU1XU	FZ-VSC401
Second Battery Pack	Smart Card Reader


Inserting an option to the right expansion area

1. Turn off the computer and disconnect the AC adaptor.

IMPORTANT

- We recommend that you turn off the computer completely the following.

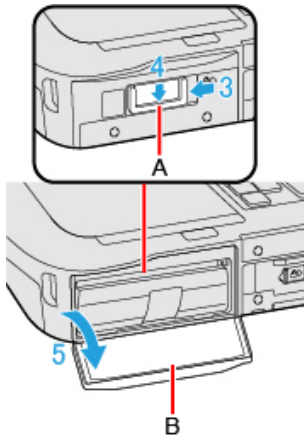
1. Click  (Start) - [Settings] - [System] - [Recovery].
2. Click [Restart now] in "Advanced startup".
3. Click [Restart now] on the "We'll restart your device so save your work" screen.
4. Click [Turn off your PC].

2. Remove the battery pack. ( [Replacing the Battery Pack](#))

<When using second battery pack>

- Remove the second battery pack. ( [Replacing the Battery Pack](#))

3. Slide the latch (A) to the arrow direction.
4. Slide the latch (A) down to unlock the cover.
5. Open the cover (B).

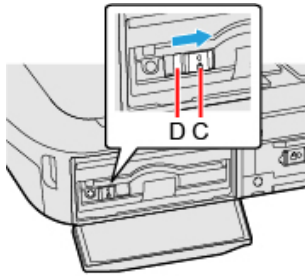


6. Insert an option to the right expansion area.

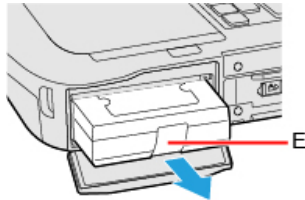
- If an option has not been inserted, proceed to step 3.

1. <Only for model with Smart Card Reader>

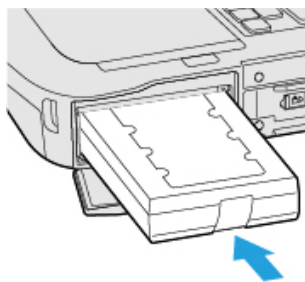
Slide the latch (C) until the orange-colored sign appears in the indicator (D).



2. Pull the tab (E) to pull out an option.

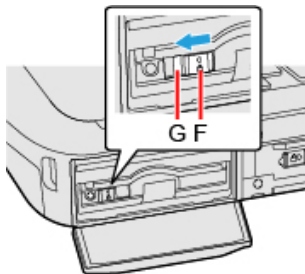


3. Insert an option until it securely fits the connector.



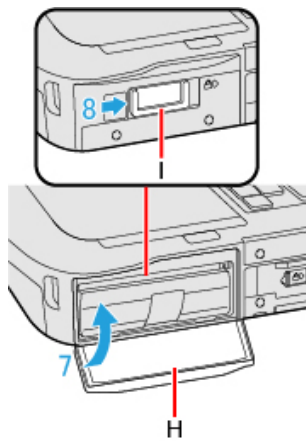
4. <When using Smart Card Reader>

Slide the latch (F) until the orange-colored sign disappears in the indicator (G).



7. Close the cover (H) until it clicks.

8. Slide the latch (I) to the arrow direction to lock the cover.



9. Insert the battery pack.