

Attaching/Detaching the SSD pack

You can replace the SSD pack.


IMPORTANT

- Back up all the important data before detaching the SSD pack.
- Carefully attach/detach the SSD pack since the SSD pack is extremely sensitive to shock. Note that static electricity may affect some internal components.

1. Turn off the computer and disconnect the AC adaptor.

- Do not use sleep or hibernation.

Perform the following steps to turn off the computer.

1. Click  (Start) - [Settings] - [System] - [Recovery].
2. Click [Restart now] in "Advanced startup".
3. Click [Restart now] on the "We'll restart your device so save your work" screen.
4. Click [Turn off your PC].

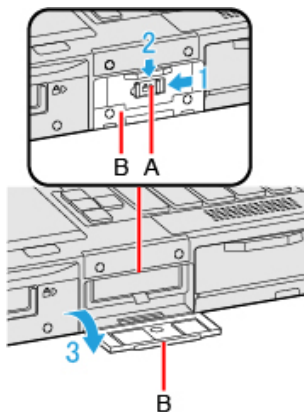
2. Remove the battery pack. ([Replacing the Battery Pack](#))

<When using second battery pack>

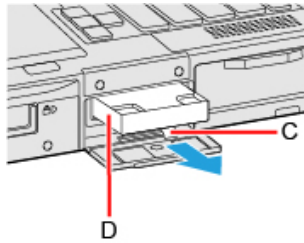
- Remove the second battery pack. ( [Replacing the Battery Pack](#))

3. Attach/Detach the SSD pack.

- To detach
 1. Slide the latch (A) to the arrow direction.
 2. Slide the cover (B) to the arrow direction.
 3. Open the cover (B).

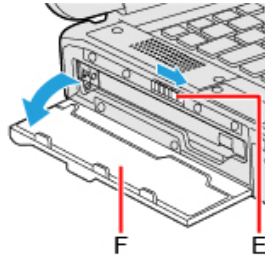


4. Pull the tab (C) and pull out the SSD pack (D).

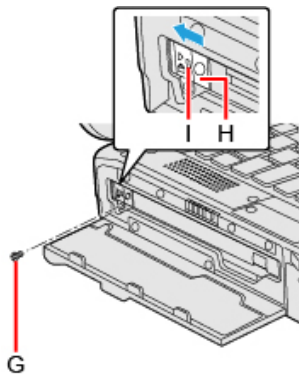


<Only for model with 2nd SSD pack>

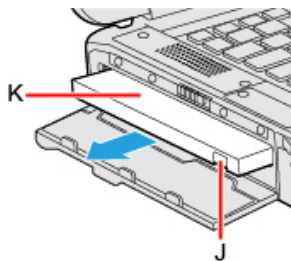
1. While sliding the latch (E) to the arrow direction, open the cover (F).



2. Remove the screw (G) and slide the latch (H) until the orange-colored sign appears in the indicator (I).
Use the PH 1 (PH #1) screwdriver.

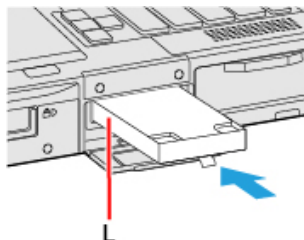


3. Pull the tab (J) and pull out the SSD pack (K).



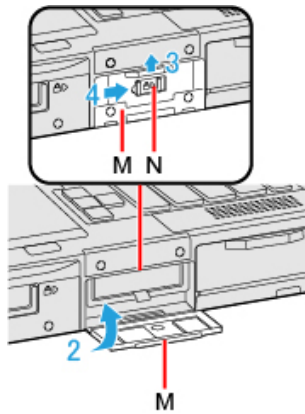
• To attach

1. Insert the SSD pack (L) until it securely fits the connector.



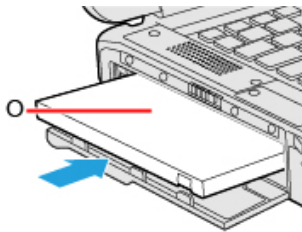
2. Close the cover (M).
3. Slide the cover (M) to the arrow direction.

- Slide the latch (N) to the arrow direction.

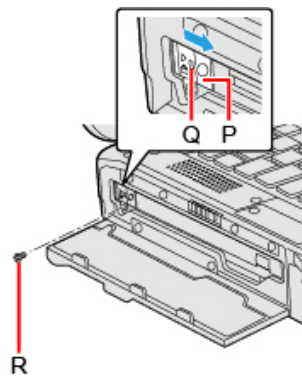


<Only for model with 2nd SSD pack>

- Insert the SSD pack (O) until it securely fits the connector.



- Slide the latch (P) until the orange-colored sign disappears in the indicator (Q) and tighten the screw (R) firmly.
Use the PH 1 (PH #1) screwdriver.
Use 1 screw.



Recommended tightening torque

0.45 N•m \pm 0.05 N•m (4.5 kgf•cm \pm 0.5 kgf•cm)

- Close the cover until it clicks.

- Insert the Battery Pack.

IMPORTANT

- Confirm that the latch is surely locked so that the SSD pack does not fall when you carry the computer.
- Be sure to attach the SSD pack for use.

NOTE

- You can check that the SSD pack is recognized or not in the [\[Information Menu\]](#) of the Setup Utility. If the SSD pack is not recognized, turn off the computer and insert it again.

Erasing SSD Pack Data

You can erase the data before changing the SSD pack.

1. Select [Start "Secure Wipe"] in the sub-menu of [Secure Wipe] in the [Security] menu of the Setup Utility.