

Rear Expansion Area

You can select from the following options.


FZ-VCN551	FZ-VCN552	FZ-VCN553
VGA Port / Serial Port / USB 3.2 (Type-A) Port	VGA Port / Serial Port / 2nd LAN Port	VGA Port / Serial Port / Rugged USB 2.0 Port

Inserting an option to the rear expansion area

1. Turn off the computer and disconnect the AC adaptor.


IMPORTANT

- We recommend that you turn off the computer completely the following.

1. Click  (Start) -  (Settings) - [Update & Security] - [Recovery].
2. Click [Restart now] under “Advanced startup”.
3. Click [Turn off your PC].

2. Turn your computer over and remove the battery pack. ( [Replacing the Battery Pack](#))

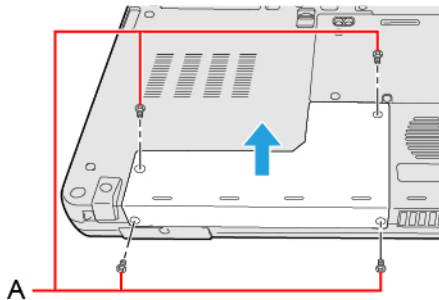
<When using second battery pack>

- Remove the second battery pack. ( [Replacing the Battery Pack](#))

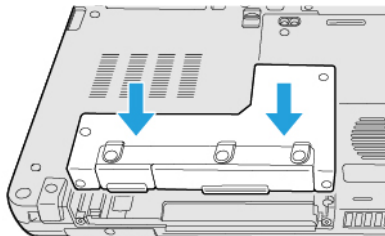
Make sure no foreign objects are under the computer.

3. Insert an option to the rear expansion area.

1. If the dummy cover is inserted, remove it.
Remove the screws (A) and the dummy cover.

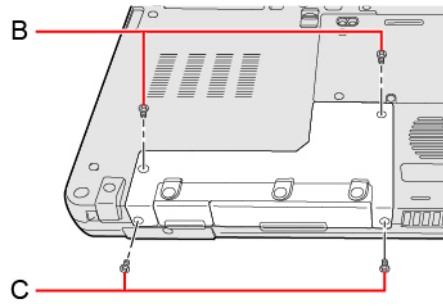


2. Press left and right from above to insert an option.



3. Tighten the screws (B) first, and then tighten the screws (C).
Use the PH 1 (PH #1) screwdriver.

Use 4 screws (Black).



Recommended tightening torque

0.45 N•m \pm 0.05 N•m (4.5 kgf•cm \pm 0.5 kgf•cm)

4. Insert the battery pack carefully.