

# SSD Pack

<Only for Removable-SSD model>

## Attaching/Detaching the SSD Pack

You can replace the SSD pack.


### IMPORTANT

- Back up all the important data before detaching the SSD pack.
- Carefully attach/detach the SSD pack since the SSD pack is extremely sensitive to shock. Note that static electricity may affect some internal components.

#### 1. Turn off the computer and disconnect the AC adaptor.

- Do not use sleep or hibernation.

Perform the following steps to turn off the computer.

1. Click  (Start) - [Settings] - [System] - [Recovery].
2. Click [Restart now] in "Advanced startup".
3. Click [Restart now] on the "We'll restart your device so save your work" screen.
4. Click [Turn off your PC].

#### 2. <For tablet> Turn your tablet over.

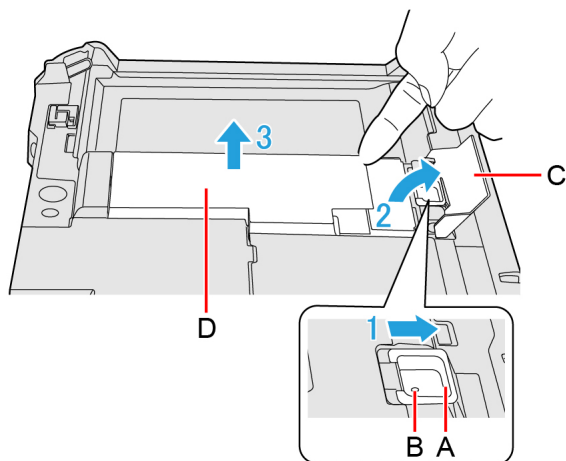
Make sure no foreign objects are under the tablet.

#### 3. Remove the battery pack.

#### 4. Attach/Detach the SSD pack.

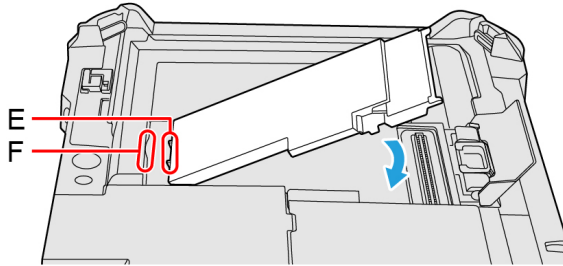
- To detach

1. Slide the SSD pack latch (A) until the orange-colored sign appears in the indicator (B).  
The SSD pack lock cover is unlocked.
2. Open the SSD pack lock cover (C).
3. Lift the SSD pack (D) and pull it out of the slot.

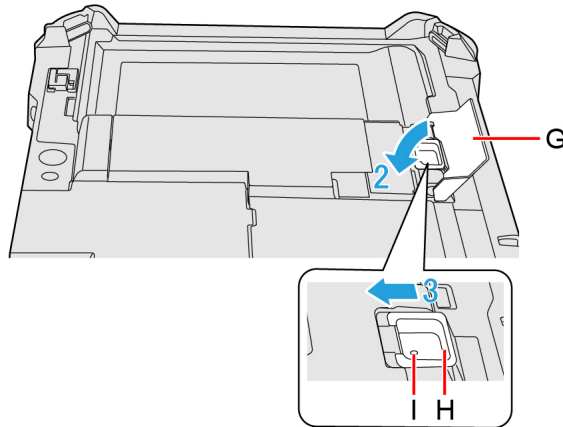


- To attach

1. Insert the projection part (E) of the SSD pack into the (F) part, and attach it while lowering until it clicks.



2. Close the SSD pack lock cover (G).
3. While holding down the SSD pack lock cover (G), slide the SSD pack latch (H) until the orange-colored sign disappears in the indicator (I).



5. Insert the Battery Pack.

#### IMPORTANT

- Confirm that the SSD pack latch is surely locked so that the SSD pack does not fall when you carry the computer.
- Be sure to attach the SSD pack for use.

#### NOTE

- You can check that the SSD pack is recognized or not in the [\[Information Menu\]](#) of the Setup Utility. If the SSD pack is not recognized, turn off the computer and insert it again.

## Erasing SSD Pack Data

You can erase the data before changing the SSD pack.

1. Select [Local Platform Erase Configuration] in the sub-menu of [Manageability Configuration] in the [Security] menu of the Setup Utility.
2. Set [Storage Device Erase] to [Enabled] and select [Execute Platform Erase Operations].