

# Top Expansion Bay

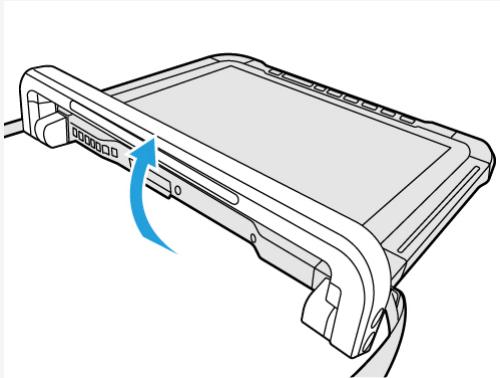
You can select from the following options.

FZ-VBRG211 / FZ-VBRG231	FZ-VUBG211	FZ-VLNG211	FZ-VSRG211	FZ-VTSG211	FZ-VSMG221
Barcode Reader	USB 2.0 (Type-A) Port	LAN Port	Serial Port	Thermal Imaging Camera	microSD Memory Card Slot

## NOTE

- <Only for model with hard handle>

When using an option in the top expansion bay, lift the handle up approximately 90° in the direction of the arrow.




## Inserting an option to the top expansion bay

1. Turn off the computer and disconnect the AC adaptor.

### IMPORTANT

- We recommend that you turn off the computer completely the following.

1. Click  (Start) - [Settings] - [System] - [Recovery].
2. Click [Restart now] in "Advanced startup".
3. Click [Restart now] on the "We'll restart your device so save your work" screen.
4. Click [Turn off your PC].

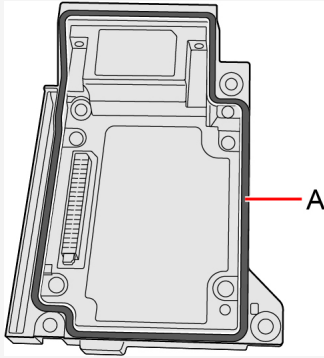
2. <For tablet> Turn your tablet over.

Make sure no foreign objects are under the tablet.

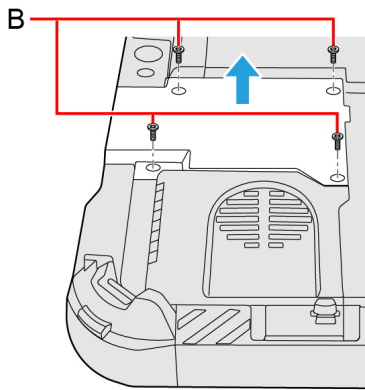
3. Remove the battery pack.
4. Insert an option to the top expansion bay.
  - The dummy cover may have been inserted.

## IMPORTANT

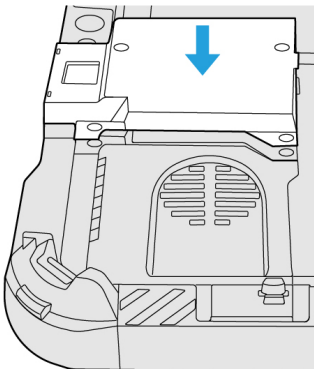
- Do not touch (A) to ensure the waterproof property.



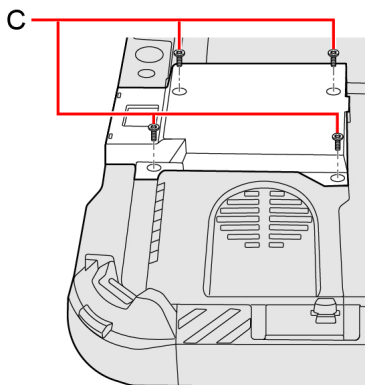
1. Remove the screws (B) and an option.  
Use the PH 1 (PH #1) screwdriver.



2. Insert an option until it securely fits the connector.



3. Tighten the screws (C) firmly.  
Use the PH 1 (PH #1) screwdriver.  
Use 4 screws.



Recommended tightening torque

0.45 N•m  $\pm$  0.05 N•m (4.5 kgf•cm  $\pm$  0.5 kgf•cm)

5. Insert the battery pack.